

URW-376

(2.9t x 2.5m)

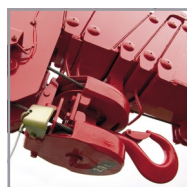
The UNIC 376 features a six section hydraulic boom to allow it a maximum working radius of 14.45m. This mid-capacity machine can be controlled either from the onboard operator's seat or from a distance using remote control.



Crane Specifications

Crane capacity	capacity:	2.9t x 2.5m
Max working radius	max:	14.45m
Max lifting height	approx:	14.9m
Rope length	max:	17.5m (4 fall), 35m (2 fall), 70m (1 fall)
Dimensions	folded:	4340mm (l) x 1300mm (w) x 1800mm (h)
Weight	unladen:	3850kg (4000kg with electric option)
Point loadings	Due to the many variables involved, point loadings are only available on request	
Hook speed	approx:	17m/min (with 4 layers and 4 falls)
Telescopic system	boom length:	3.63 - 14.61m
	telescoping speed:	10.98m/23 seconds
	boom type:	6 section hydraulically telescoping boom, hexagonal box construction
Derricking angle/speed	approx:	0 - 80°/10 seconds
Slewing angle/speed	approx:	360° (continuous) 2.5min ⁻¹ (rpm)
Traction system	drive:	hydrostatic 2-speed
	travel speed:	0-3km/h
	gradability:	23°
	track ground length:	1750mm
	track ground pressure:	36kPa (0.37kg/cm ²)
	track width:	300mm
Engine	manufacturer:	Mitsubishi
	fuel:	diesel (electric dual power option)
	maximum output:	18kW (24.5PS) / 2100min ⁻¹ (rpm)
	starting method:	electric
	tank capacity:	40 litres
Electric motor	power:	7.5kW
	voltage:	400v AC 50/60Hz
Standard equipment	computer controlled moment limiter (safe load indicator), overload warning lamps, intelligent voice warning system, radio remote control, intelligent throttle activation	
Optional equipment	2 fall hook block, 1 fall hook block, mains electric dual power (400v), low marking tracks, slew limitation	

- Capacity 2.9t x 2.5m
- Total width 1.3m
- Max working radius 14.45m
- Max boom length 14.61m
- Diesel powered and optional mains electric
- Zero length increase with electric option
- Operator control of outrigger extension
- Intelligent voice warning system
- Radio remote control as standard
- Working area limitation
- Slew limitation (optional)
- Intelligent throttle activation for economy and ecology



Automatic hook stow



Anti two-block system

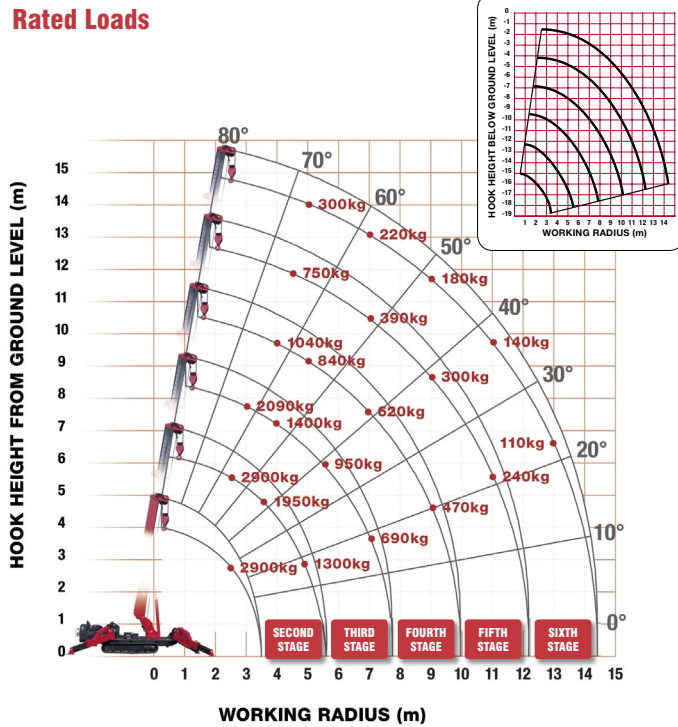


Full safe load indicator

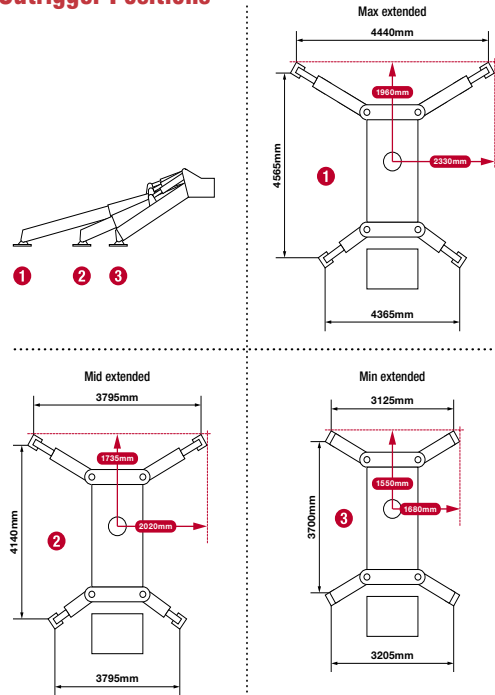


Overload warning lamps + auto stop + alarm

Rated Loads



Outrigger Positions



SECOND STAGE

SECOND STAGE EXTENDED 3.63 - 5.85 BOOM LENGTH

Working radius	m	up to 2.0	2.5	3.0	3.5	4.0	4.5	5.0	5.69
Outrigger Max-extended	kg	2,900	2,900	2,350	1,950	1,670	1,450	1,300	1,070
Outrigger Mid-extended	kg	2,900	2,900	2,320	1,920	1,570	1,250	990	770
Outrigger Min-extended	kg	2,900	2,900	2,170	1,500	1,120	900	720	470

THIRD STAGE

THIRD STAGE EXTENDED 5.85 - 8.04M BOOM LENGTH

Working radius	m	up to 2.7	3.0	3.5	4.0	4.5	5.0	5.5	6.0	7.0	7.88
Outrigger Max-extended	kg	2,240	2,090	1,650	1,400	1,220	1,070	950	840	690	590
Outrigger Mid-extended	kg	2,240	2,060	1,650	1,390	1,170	1,000	820	640	450	370
Outrigger Min-extended	kg	2,240	2,060	1,570	1,220	1,020	830	650	510	300	190

FOURTH STAGE

FOURTH STAGE EXTENDED 8.04 - 10.23M BOOM LENGTH

Working radius	m	up to 4.0	4.5	5.0	6.0	7.0	8.0	9.0	10.07
Outrigger Max-extended	kg	1,040	930	840	730	620	520	470	380
Outrigger Mid-extended	kg	1,030	920	830	670	500	380	280	200
Outrigger Min-extended	kg	1,030	820	640	470	310	220	130	90

FIFTH STAGE

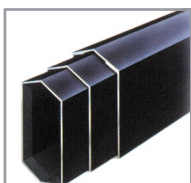
FIFTH STAGE EXTENDED 10.23 - 12.42M BOOM LENGTH

Working radius	m	up to 4.5	5.0	6.0	7.0	8.0	9.0	10.0	11.0	12.26
Outrigger Max-extended	kg	750	620	480	390	340	300	270	240	230
Outrigger Mid-extended	kg	750	620	470	390	320	270	220	170	130
Outrigger Min-extended	kg	750	620	400	250	180	130	90	60	10

SIXTH STAGE

SIXTH STAGE EXTENDED 12.42 - 14.61M BOOM LENGTH

Working radius	m	up to 4.9	5.5	6.0	7.0	8.0	9.0	10.0	11.0	12.0	13.0	14.45
Outrigger Max-extended	kg	300	270	250	220	200	180	160	140	130	110	100
Outrigger Mid-extended	kg	300	270	250	220	200	180	160	120	90	60	40
Outrigger Min-extended	kg	300	270	250	220	170	110	80	50	30	20	10



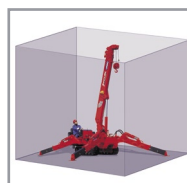
Hexagonal boom minimises sway



Level operation on uneven sites



Optional mains power



Working area limitation



Low marking tracks