



**WACKER
NEUSON**
all it takes!

ET145

Tracked Conventional Tail Excavators



ET145 - The champion of the compact excavators.

Wacker Neuson's ET145 offers massively enhanced performance, without the size of the excavator ever posing a problem. Its performance, stability, and agility are perfectly balanced.

- High tonnage with compact dimensions.
- Tail-swing console and side-mounted boom cylinder for a small front swing radius.
- Engine at rear and side-mounted hydraulic control block for unimpeded view to the right.
- The high-performance hydraulics enables spontaneous actuation of the hydraulic functions and maximum working speed.
- Spacious and user friendly designed cab with air-conditioning as standard.



ET145 Technical specifications

Operating data

Shipping weight min.	14,917 kg
Operating weight	15,551 - 16,335 kg
Biting force max.	69 kN
Breakout force max.	91 kN
Digging depth max.	5,481 mm
Dumping height	5,620 - 5,983 mm
Digging radius max.	8,727 mm
Superstructure slewing speed	11.6 1/min
L x W x H	7,720 x 2,490 x 2,786 mm

Engine / Motor

Engine / Motor manufacturer	Perkins
Engine / Motor type	854F-E34TAWF
Engine / Motor	4-cylinder turbo diesel engine with water cooling
Displacement	3,400 cm ³
RPM / speed max., without load	2,050 rpm
Engine performance acc. to ISO	55.1 kW
Battery	120 Ah
Tank capacity	205 l
Voltage	12 V
Input current	120 A

Hydraulic system

Duty pump	2 variable pumps, 2 gear wheels
Operating pressure for working and traction hydraulics	340 bar
Operating pressure Slewing gear	320 bar
Hydraulic oil tank	110 l

Undercarriage

Travel speed max.	5 km/h
Chain width	500 mm
Ground clearance	480 mm

Dozer Blade

Width	2,490 mm
Height	600 mm
Stroke Dozer blade above ground	531 mm

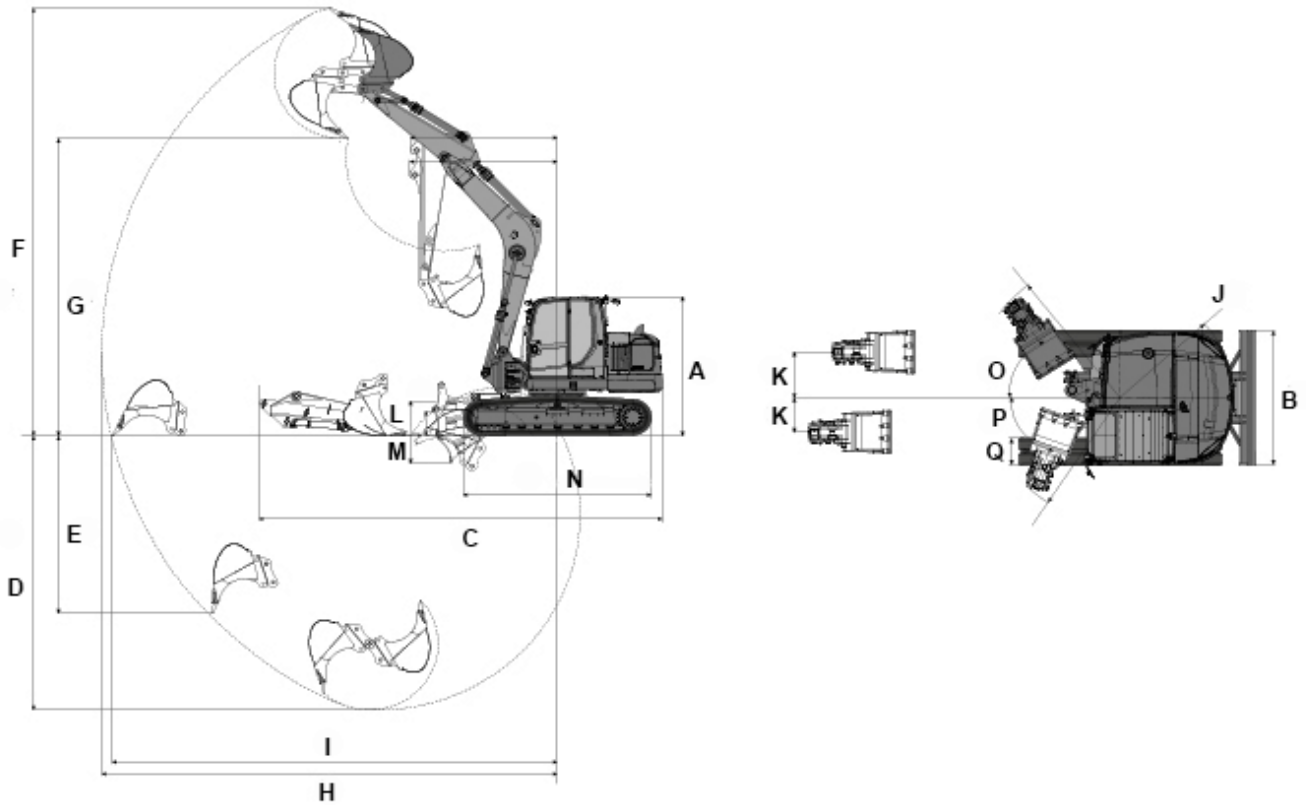


**WACKER
NEUSON**
all it takes!

Stroke Dozer blade below ground	495 mm
Sound level	
Sound level (LWA) acc. to 2000/14/EC	99 dB(A)
Cabin - specified sound pressure level LpA acc. to ISO 6394	75 dB(A)



ET145 Dimensions



		Rubber / steel track	Hybrid track
A	Height	2,786 mm	2,825 mm
B	Width	2,490 mm	2,490 mm
C	Transport length (short bucket arm)	7,720 mm	7,698 mm
C	Transport length (long bucket arm)	7,788 mm	7,769 mm
D	Digging depth max. max. (short bucket arm)	4,981 mm	4,942 mm
D	Digging depth max. max. (long bucket arm)	5,481 mm	5,442 mm
E	Insertion depth max. vertical (short bucket arm)	3,089 mm	3,050 mm
E	Insertion depth max. vertical (long bucket arm)	3,550 mm	3,511 mm
F	Insertion height max. (short bucket arm)	8,228 mm	8,267 mm



F	Insertion height max. (long bucket arm)	8,552 mm	8,591 mm
G	Dump height max. max. (short bucket arm)	5,620 mm	5,659 mm
G	Dump height max. max. (long bucket arm)	5,945 mm	5,983 mm
H	Digging radius max. max. (short bucket arm)	8,261 mm	8,262 mm
H	Digging radius max. max. (long bucket arm)	8,727 mm	8,727 mm
I	Range max. span on the ground (short bucket arm)	8,044 mm	8,032 mm
I	Range max. span on the ground (long bucket arm)	8,527 mm	8,515 mm
J	Rear swivel radius	2,017 mm	2,018 mm
K	Arm displacement max. boom offset to centre of bucket right side	846 mm	846 mm
K	Arm displacement max. boom offset to centre of bucket left side	638 mm	638 mm
L	Lift height	493 mm	532 mm
M	Scraping depth	531 mm	493 mm
N	Length track	3,604 mm	3,662 mm
O	Turning angle max. - boom arm to the right	57 °	57 °
P	Turning angle max. - boom arm to the left	70 °	70 °
Q	Chain width	500 mm	500 mm
--	Boom slewing radius	2,643 mm	2,643 mm
--	Boom slewing radius	2,322 mm	2,322 mm

Please note

that product availability can vary from country to country. It is possible that information / products may not be available in your country. More detailed information on engine power can be found in the operator's manual; the stated power may vary due to specific operating conditions.

Subject to alterations and errors excepted. Applicable also to illustrations.

Copyright © 2018 Wacker Neuson SE.