



## ET90

Tracked Conventional Tail Excavators



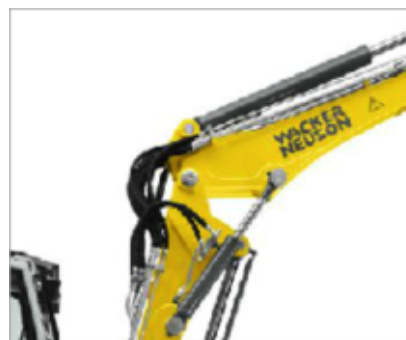
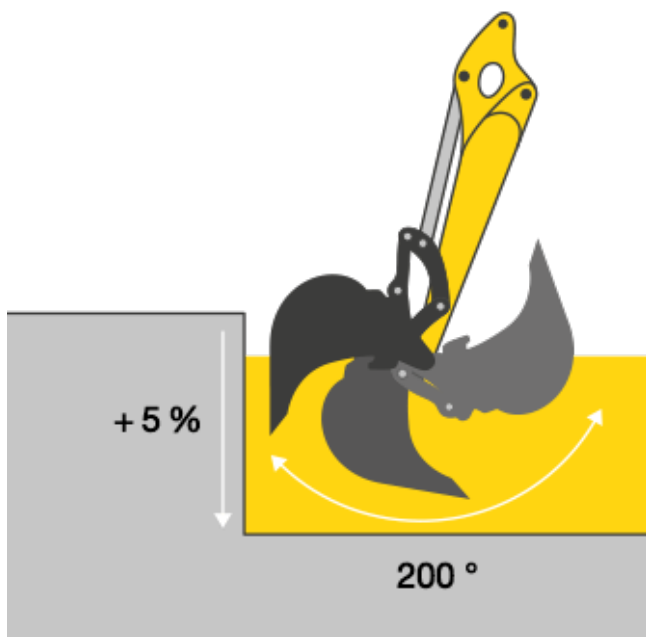
### The economic powerhouse: ET90

The fuel consumption of the ET90 is up to 20 percent lower than with comparable models – this reduces the operating costs significantly. At the same time, it scores in applications with an excellent engine and hydraulic performance. This efficient combination provides for first-class digging power with up to 20% more bucket breakaway force. Conversely, the economical load sensing hydraulic system allows for finely controllable lifting arm movements with a full performance at the same time. Whether power or precision – the ET90 is exactly the right excavator for any application.

- Precise and sensitive operation thanks to the load sensing hydraulic system with LUDV (load-independent flow control)\*
- Low consumption due to the economical ECO mode
- Up to 5 auxiliary control circuits for the most varied attachments
- Extremely compact and maneuverable
- Maintenance and service made easy due to the tiltable cabin as well as the diagnostic tool

\* Load-independent flow distribution

Economical and powerful

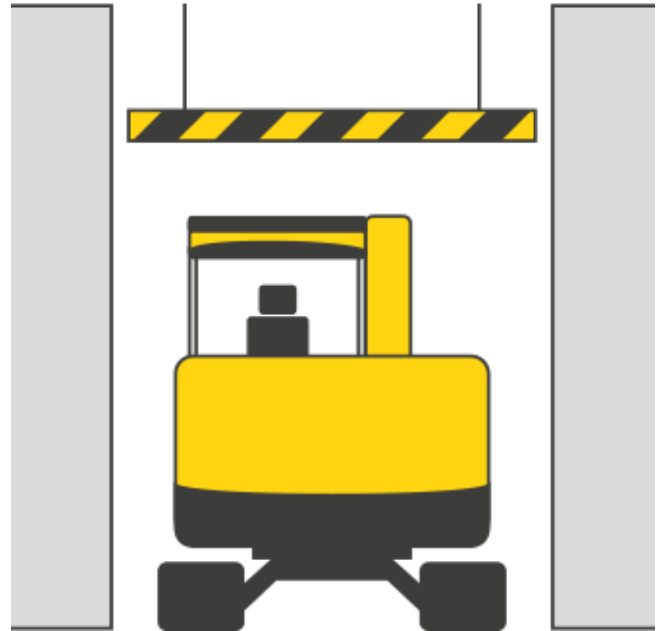


- Optimal force distribution when excavating and up to 20% more breakaway force: plunge in deeper and excavate more powerfully
- Less material loss in the bucket due to an expanded angle of rotation of 200 degrees
- Articulated boom for greater reach, digging depth and dumping height
- Up to 20 % less fuel consumption

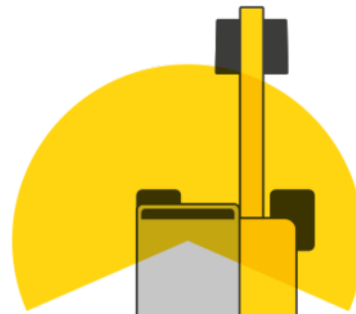


#### Reduced dimensions

- Significantly lower height and width than comparable competition models
- Easily master tight construction sites and low passages
- Higher level of stability due to the low center of gravity
- Easy to transport



#### Cabin, sight and operating comfort



- Innovative solution for the optimal view – boom to the right next to the cabin
- Operator comfort: spacious cabin, air cushioned seat and automatic air-conditioning system
- Innovative front windshield system: two-part windshield can be slid up and moved - rain roof position
- LED headlights for optimal illumination
- Rear camera for more safety when in reverse operation



**WACKER  
NEUSON**  
*all it takes!*

Jog dial system

- Technology from the automotive sector
- For the direct control of central functions
- Intuitive to operate



#### **iF Design Award 2016**

The excavator ET90 persuaded the professional jury at the iF Design Award in 2016. Compactness, character and professionalism were the decisive points, for which he was selected as a winner.



## ET90 Technical specifications

### Operating data

Shipping weight min.	8,348 kg
Operating weight	8,710 - 9,988 kg
Biting force max.	46 kN
Breakout force max.	74 kN
Digging depth max.	4,679 mm
Dumping height	5,066 - 5,940 mm
Digging radius max.	7,889 mm
Superstructure slewing speed	9 1/min
L x W x H	7,117 x 2,250 x 2,562 mm

### Engine / Motor

Engine / Motor manufacturer	Deutz
Engine / Motor type	TCD 2.9 DOC only
Engine / Motor	Liquid-cooled 4-cycle turbo in-line engine, direct injection, exhaust gas turbocharger and intercooling
Displacement	2,925 cm <sup>3</sup>
RPM / speed	1,850 rpm
Engine performance according to ISO	55 kW
Battery	88 Ah
Tank capacity	85 l

### Hydraulic system

Duty pump	Variable displacement pump
Flow rate	175.8 l/min
Operating pressure for working and driving hydraulics	300 bar
Operating pressure swing gear	240 bar
Hydraulic oil tank	92 l

### Undercarriage

Travel speed max.	5 km/h
Chain width	450 mm
Ground clearance	370 mm

### Dozer Blade

Stroke dozer blade above subgrade	479 mm
Stroke dozer blade below subgrade	518 mm

### Sound level



**WACKER  
NEUSON**  
*all it takes!*

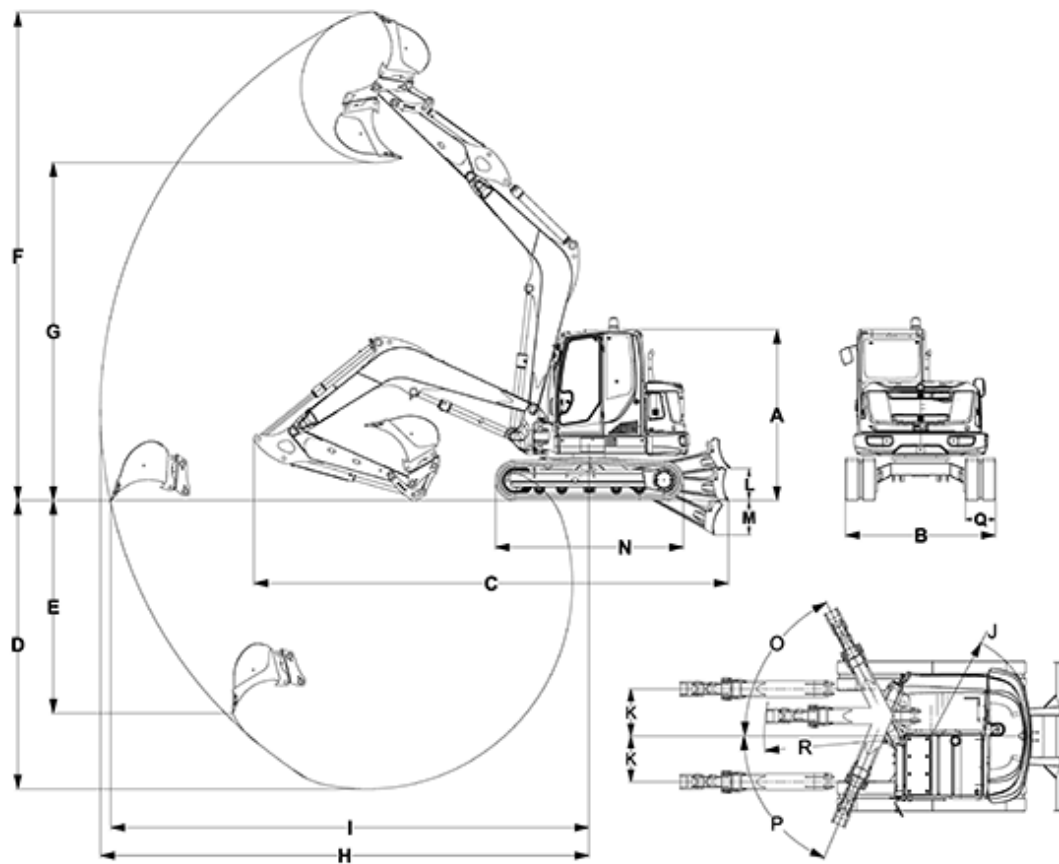
---

Sound level (LwA) according to 2000/14/EC	99 dB(A)
Cabin - specified sound pressure level LpA according to ISO 6394	79 dB(A)

---



## ET90 Dimensions



monobloc boom

articulated boom

		monobloc boom	articulated boom
A	Height	2,562 mm	2,562 mm
B	Width cabin	1,000 mm	1,000 mm
B	Width revolving superstructure	2,006.9 mm	2,017 mm
B	Width traversing gear	2,250 mm	2,250 mm
B	Width dozer blade	2,250 mm	2,250 mm
C	Transport length short dipper stick	7,117 mm	6,468 mm
C	Transport length long dipper stick	7,139 mm	6,690 mm
D	Digging depth max. short dipper stick	4,325 mm	4,379 mm
D	Digging depth max. long dipper stick	4,625 mm	4,679 mm



E	Insertion depth short dipper stick	3,192 mm	3,198 mm
E	Insertion depth long dipper stick	3,474 mm	3,456 mm
F	Insertion height short dipper stick	7,322 mm	7,931 mm
F	Insertion height long dipper stick	7,529 mm	8,196 mm
G	Dump height max. short dipper stick	5,066 mm	5,674 mm
G	Dump height max. long dipper stick	5,272 mm	5,940 mm
H	Digging radius max. short dipper stick	7,331 mm	7,596 mm
H	Digging radius max. long dipper stick	7,620 mm	7,889 mm
I	Range short dipper stick	7,179 mm	7,463 mm
I	Range long dipper stick	7,474 mm	7,751 mm
J	Rear swivel radius w/o added weight	1,583 mm	1,583 mm
J	Rear swivel radius with counter weight	1,655 mm	1,655 mm
K	Arm displacement to center stick right	705 mm	705 mm
K	Arm displacement to center stick left	683 mm	683 mm
L	Lift height above subgrade	479 mm	479 mm
M	Scraping depth below subgrade	518 mm	518 mm
N	Length total traveling gear	2,826 mm	2,826 mm
N	Length traveling gear, turas guide wheel	2,233 mm	2,233 mm
O	Turning angle boom system to the right	63 °	63 °
P	Turning angle boom system to the left	67 °	67 °
Q	Chain width	450 mm	450 mm
R	Boom slewing radius center	2,503 mm	2,840 mm
--	Boom slewing radius right	2,427 mm	2,759 mm
--	Boom slewing radius left	1,969 mm	2,280 mm
--	Height dozer blade	501 mm	501 mm



**WACKER  
NEUSON**  
*all it takes!*

Please note

that product availability can vary from country to country. It is possible that information / products may not be available in your country. More detailed information on engine power can be found in the operator's manual; the stated power may vary due to specific operating conditions.

Subject to alterations and errors excepted. Applicable also to illustrations.

Copyright © 2018 Wacker Neuson SE.